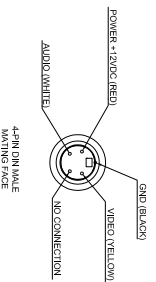
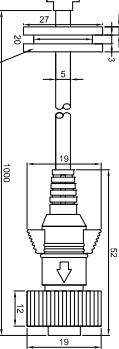
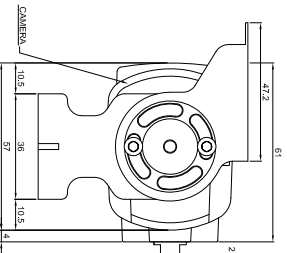
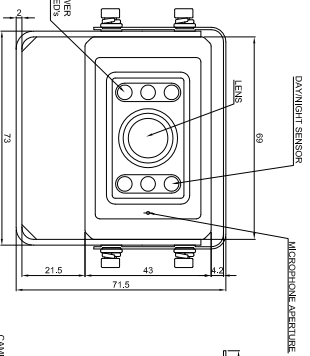
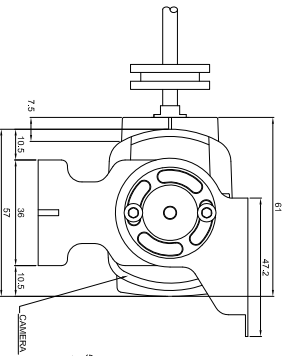
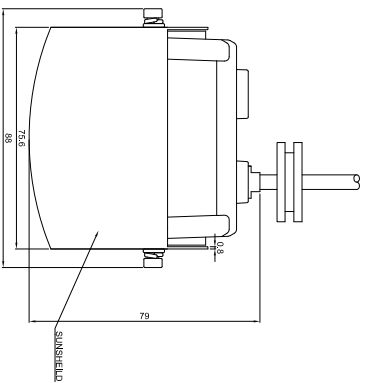
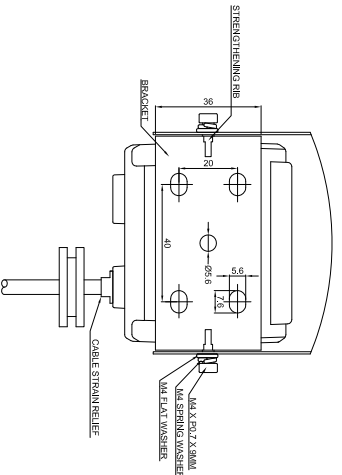
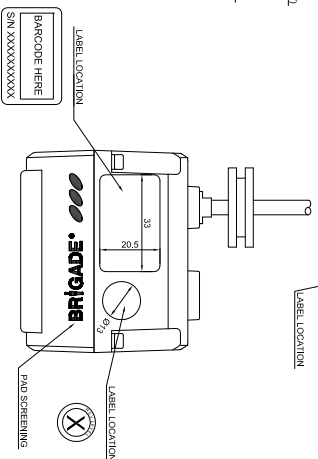
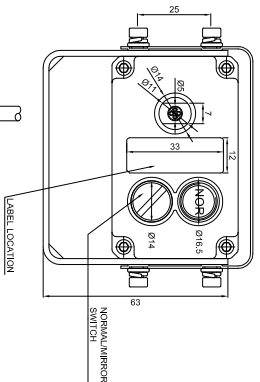
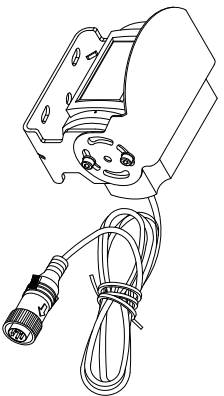


PART NO.	STOCK CODE	VARIANTS
BE-200C	A1624	BLACK & WHITE (PAL)
BE-201C	F2086	BLACK & WHITE (NTSC)
BE-202C	A1623A	COLOUR (PAL)
BE-300C(D)	A1559	COLOUR (PAL) 40"
BE-300C(F8)	A1426	COLOUR (PAL) 78"
BE-301C	A1905	COLOUR (NTSC)
BE-301C(F8)	A2084	COLOUR (NTSC) 78"
BE-399C	A2871	COLOUR (PAL) NO AUDIO



VIEW A



Revno	Revision note	Date	Signature	Checked

NOTES:
DIMENSIONS IN MM
REFER TO "PRODUCT SPECIFICATION" FOR MORE DETAILS

PROPRIETARY NOTICE
THIS DESIGN AND TECHNICAL INFORMATION APPEARING ON THIS DRAWING IS THE PROPERTY OF BRIGADE ELECTRONICS PLC, AND IS DISCLOSED IN CONFIDENCE. IT IS NOT TO BE COPIED, REPRODUCED, REVEALED TO OR APPROPRIATE BY OTHERS, EITHER IN WHOLE OR IN PART, WITHOUT THE EXPRESS WRITTEN CONSENT OF BRIGADE ELECTRONICS PLC.

Item	Quantity	Title/Name, designation, material, dimension etc	Article No./Reference
Designed by	M.BUTLER	Checked by	DATE
Approved by	SKATTIKS	Filename	17/02/09
BRIGADE ELECTRONICS		BE-200C (A1624)	Scale
BE-000634-00-09		Edition	1/1